

Next-Generation 2023 Ford Everest



Ford

All-new and ready for action.

The all-new Next-Gen 2023 Ford Everest[®] SUV more than earns its impressive name. It's built tough and can take you and your crew of adventure seekers far from the beaten path. With a newly designed exterior firmly planted at its corners, and new soft-touch finishes inside the sophisticated interior, it's time to aim higher with the Everest SUV.



Everest Titanium

Titanium brings an exclusive level of sophistication, luxury and intelligence to overlanding mastery. Built because we can, Everest Titanium is king of the road.

Everest Sport

Blackout grille, trim and wheels are matched with an athletic Ebony interior, for a dominant signature effect. Everest Sport is ready to take on your adventures.



Everest XLT

With Next-Gen capability and technology, Trend is ready to embrace anything thrown its way. Ruggedly stylish, smart and safe, Everest XLT is yours for fun and adventure.



2.0L Turbo Diesel Engine

Standard on XLT 4x2 and Sport 4x2

POWER

170 PS^{1,2}

TORQUE

405 Nm^{1,2}

6-speed automatic transmission

2.0L Bi-Turbo Diesel Engine

Standard on XLT 4x4 and Titanium 4x4

POWER

210 PS^{1,2}

TORQUE

500 Nm^{1,2}

10-speed automatic transmission



Power up and go.

The Next-Gen Ford Everest® SUV features a choice of premium engines that deliver power and torque for towing, hauling and off-roading. It also comes with a standard 6-speed automatic or an available 10-speed automatic.

Available Selectable Drive Modes.

Everest gives you command of up to 6 available on- and off-road drive modes to help master every terrain: Normal, Eco, Tow/Haul, Slippery, Mud/Ruts, Sand.



Available Ford Active Park Assist 2.0.

Helps reduce the anxiety of parking by taking over the steering, shifting, braking and acceleration to navigate parallel or perpendicular parking spaces with ease.^{5,6}



Available Electronic Automatic Gear Shifter



Ford Everest offers an available hands-free, foot-activated liftgate.

Hands full? Open the liftgate just by kicking your foot under the sensor. Next-Gen Everest SUV's liftgate is standard on Sport and Titanium models and wider for easier loading, opens and closes faster, and is designed to fully operate even with a conventional trailer attached.



Ford Everest® SUV seats up to 7. Space for family comfort.

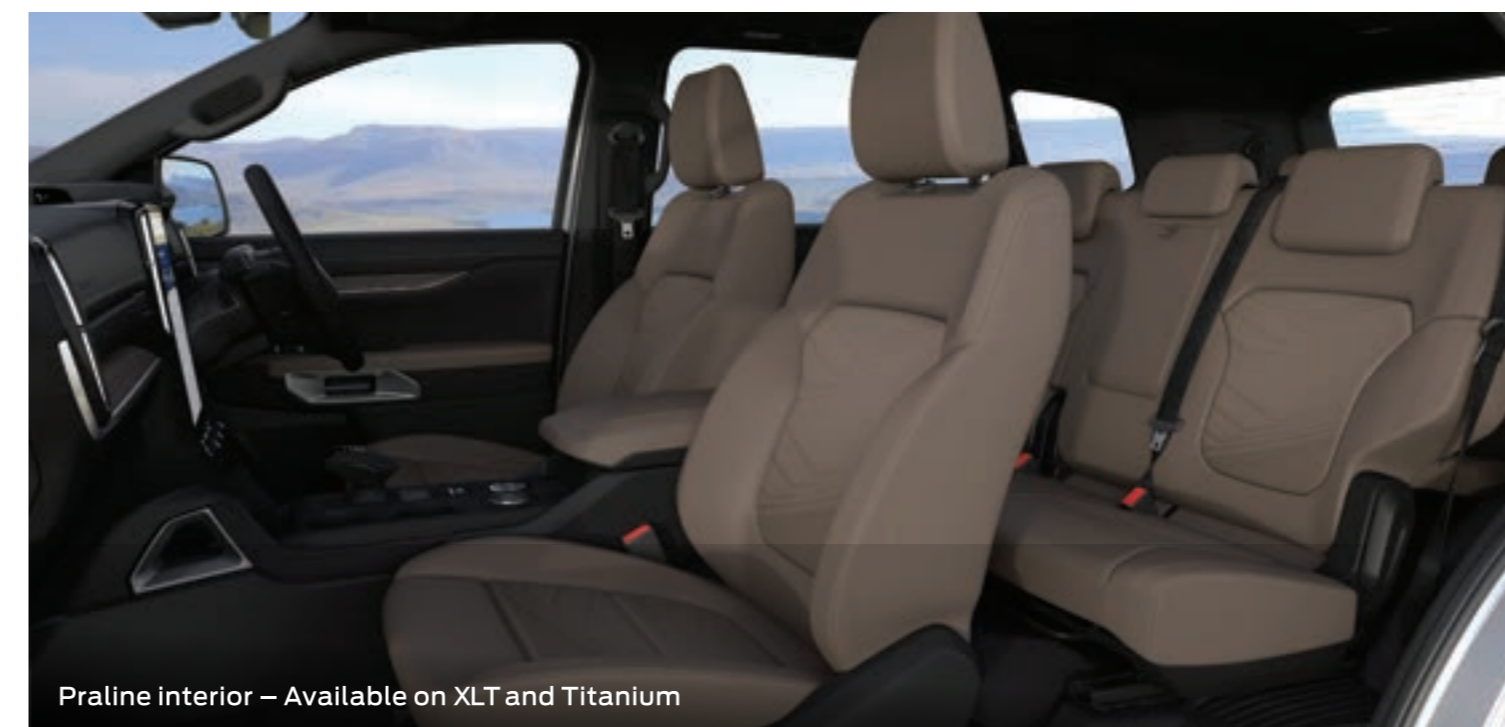
Everyone should be comfortable, no matter where they are sitting. Next-Gen Everest is more spacious than ever, with every passenger getting more room. On the Titanium model, the dual-panel sunroof adds to the sense of openness and adventure.

Pre-Collision Assist® with Automatic Emergency Braking (AEB).

This driver-assist system is designed to help detect and potentially avoid a frontal collision with other vehicles or pedestrians.^{1,2} If a potential collision is detected, an alert sound is emitted and a warning message will display in the message center. If your response is not sufficient, Automatic Emergency Braking will precharge and increase Brake Assist sensitivity to provide full responsiveness when you do brake. If you don't take corrective action and a collision is imminent, brakes can apply automatically.

Intelligent Adaptive Cruise Control (IACC) with Stop-and-Go and Lane Centering.

IACC helps maintain your speed when you're on the road^{1,3} and with Stop-and-Go,⁴ can slow your vehicle if traffic ahead has stopped or slowed. Lane Centering scans lane markings to help keep you on track.



Praline interior – Available on XLT and Titanium

Wireless charging pad.

your phone. Simply place it on the available wireless charging pad⁷ and you're good to go.



Wireless Charging Pad



Wireless connection.

Connect to Apple CarPlay^{®1,2} or Android Auto^{™2,3} without a cable in sight. This cordless connection makes life easy and uncluttered. Screen display varies by market.

A sense of confidence.

The Next-Gen Ford Everest® SUV lets you experience a whole new world of connectivity, with available wireless charging, wireless connection, and the SYNC® 4A⁴ infotainment system.



SYNC 4A.

An in-vehicle communication and entertainment system with a host of features, made easier by the system showing your last 5 actions, wireless smartphone integration, and a 10.1" or available 12" touchscreen.

Available 12" Touchscreen

The Ford Everest[®] SUV range.



XLT



Ruggedly stylish, smart and safe,
and ready for it all.

Sport



Ready to take you on adventures
and look great doing it.

Titanium



More sophistication and
intelligence for every journey.

Specifications

XLT 4x2	XLT 4x4	SPORT 4x2	TITANIUM 4x4	
✓		✓		MECHANICAL ³ 2.0L Turbo Diesel 170 PS (125kW) @ 3,500 rpm, 405 Nm @ 1,750–2,500 rpm ^{5,6}
	✓		✓	2.0L Bi-Turbo Diesel 210 PS (155kW) @ 3,750 rpm, 500 Nm @ 1,750–2,000 rpm ^{5,6}
✓		✓		6-speed automatic transmission
	✓		✓	10-speed automatic transmission
✓		✓		Rear-wheel drive (RWD)
	✓		✓	Electronic-locking rear differential
	✓		✓	Intelligent 4WD with electronic shift-on-the-fly (4x4)
	✓		✓	Terrain Management System™ (rotary Selectable Drive Modes dial)
			✓	Electronic automatic gear shifter
✓	✓			COMFORT & CONVENIENCE Manual liftgate
✓	✓	✓		Dual power-folding sideview mirrors with turn signal indicators
✓	✓	✓		Front floor mats
		✓	✓	Hands-free, foot-activated liftgate
			✓	Ambient lighting
			✓	Cargo Load Compartmentalization
			✓	Dual power-folding, heated sideview mirrors with turn signal indicators and security approach lamps
			✓	Front floor mats with Everest® logo, and rear floor mats
			✓	Power converter
✓	✓			SEATING Seat Pack 15: includes leather-trimmed seating, 8-way power driver and front-passenger seats, 2nd-row 60/40 split-folding seats, and 3rd-row folding seats
		✓		Seat Pack 16: includes leather-trimmed seating with embossed SPORT logo, 8-way power driver and front-passenger seats, 2nd-row 60/40 split-folding seats, and 3rd-row folding seats
			✓	Seat Pack 9: includes leather-trimmed seating, 8-way power driver and front-passenger seats, 2nd-row 60/40 split-folding seats, and 3rd-row PowerFold® seats
✓	✓	✓		CONNECTIVITY & ENTERTAINMENT SYNC® 4A with 10.1" LCD capacitive touchscreen in center stack, and audio system with 8 speakers
			✓	SYNC 4A with 12" LCD capacitive touchscreen in center stack, and audio system with 8 speakers

Choose your color.



Sedona Orange¹



Meteor Grey Metallic¹



Arctic White



Equinox Bronze¹



Blue Lightning Metallic^{1,2}



Aluminum Metallic¹



Absolute Black Metallic¹

Specifications

XLT 4x2	XLT 4x4	SPORT 4x2	TITANIUM 4x4	
✓	✓			APPEARANCE 18" alloy wheels
✓	✓			Body-color door handles, mirror caps, and front and rear bumpers
✓	✓			Chrome grille with painted surround
✓	✓	✓		Black roof-rack side rails
✓	✓	✓		LED reflector headlamps with manual leveling
✓	✓		✓	Running boards with bright inserts
	✓	✓		Running boards
		✓	✓	20" alloy wheels
		✓		Blackout grille
		✓		Black door handles, mirror caps and front bumper
		✓		Color-keyed grille with grey insert
		✓		Hood appliqué
			✓	Chrome grille, door handles, and mirror caps
			✓	Chrome roof-rack side rails
			✓	Dual-panel sunroof
			✓	LED matrix headlamps with automatic leveling
✓	✓	✓		DRIVER ASSISTANCE Technology Package 3: Autolamp (Automatic On/Off Headlamps), Cruise Control, electronic speed-limiting device, Front and Rear Parking Sensors, and Rear View Camera
			✓	Technology Package 74: 360-Degree Camera, Active Park Assist 2.0, Auto High-Beam Headlamps, BLIS® (Blind Spot Information System) with Cross-Traffic Alert, Front and Rear Parking Sensors, Intelligent Adaptive Cruise Control with Stop-and-Go and Lane Centering Assist, Lane-Keeping System, Post-Collision Braking, Pre-Collision Assist® with Automatic Emergency Braking, and Reverse Brake Assist
			✓	SAFETY & SECURITY Belt-Minder rear safety belt reminder
			✓	Tire Pressure Monitoring System (TPMS)
	✓			PACKAGES Off-Road Pack A: Metal front, engine and transfer case shields, plus underbody protection (metal) and electronic-locking rear differential
			✓	Off-Road Pack B: Metal front, engine and transfer case shields, plus underbody protection (metal)

Colors are representative only. See your Ford Dealer for actual paint/trim options.

¹. Additional charge. ². Sport models only. ³. Availability varies by market. ⁴. Always wear your safety belt and secure children in the rear seat. ⁵. Power and torque ratings based on premium fuel per Ford Engineering standard. Your results may vary. ⁶. Power and torque are independent attributes and may not be achieved simultaneously.

STANDARD FEATURES

MECHANICAL & FUNCTIONAL

- 4-wheel disc brakes
- Electric power-assisted steering
- Electronic parking brake
- Electronic Stability Control (ESC) includes Anti-Lock Brake System (ABS) and RSC® (Roll Stability Control™)

INTERIOR

- 12V powerpoint in 3rd row
- Acoustic-laminate windshield
- Auto-dimming rearview mirror
- Dual USB ports in 2nd row
- Dual-zone electronic automatic temperature control
- Illuminated glove box
- Illuminated visor mirrors
- Leather-wrapped steering wheel and gear shifter knob
- Outside temperature display
- Overhead console with integrated dome lights
- Pollen filter
- Power door locks
- Power windows with front one-touch-up/-down feature
- Privacy glass on all rear windows³
- Push-button start
- Rain-Sensing Windshield Wipers
- Rear-window defroster
- USB charging port (windscreen mounted for front camera recorder accessory)
- Wireless charging pad

EXTERIOR

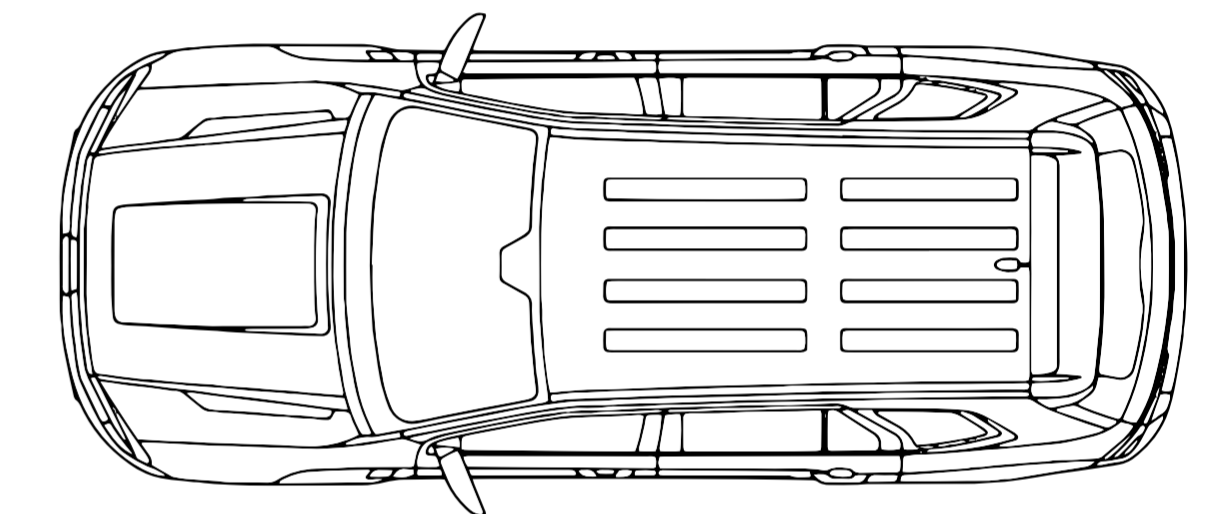
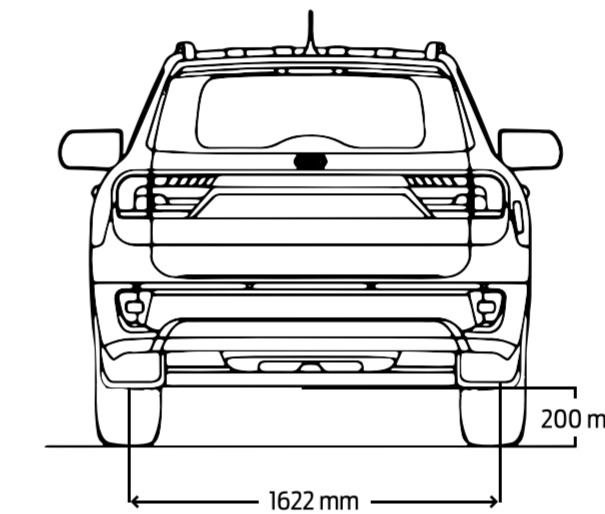
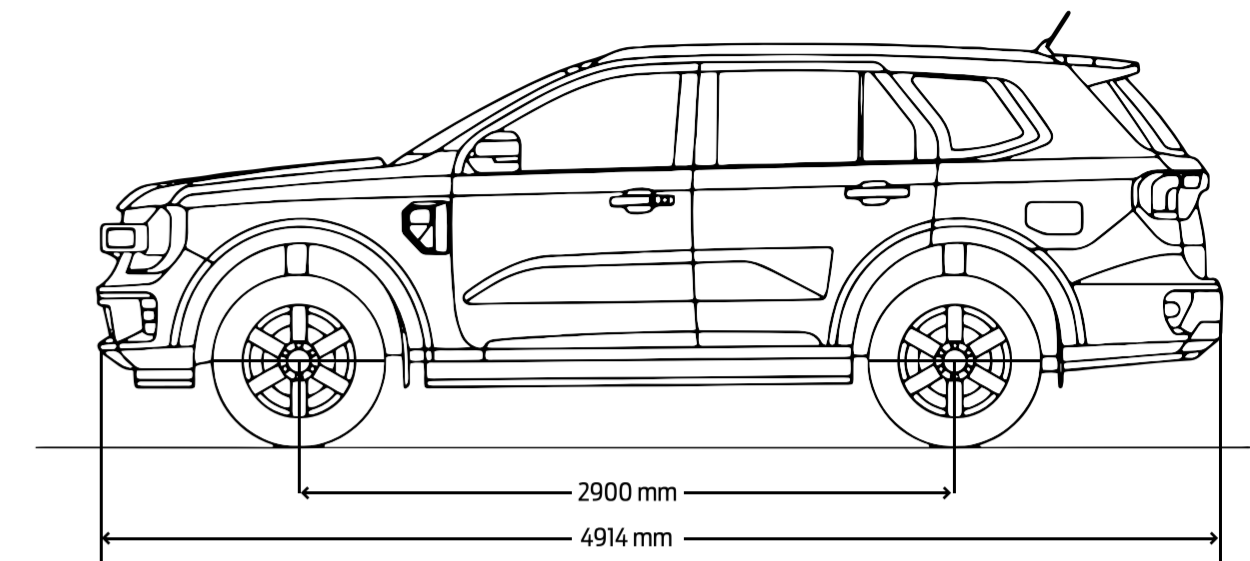
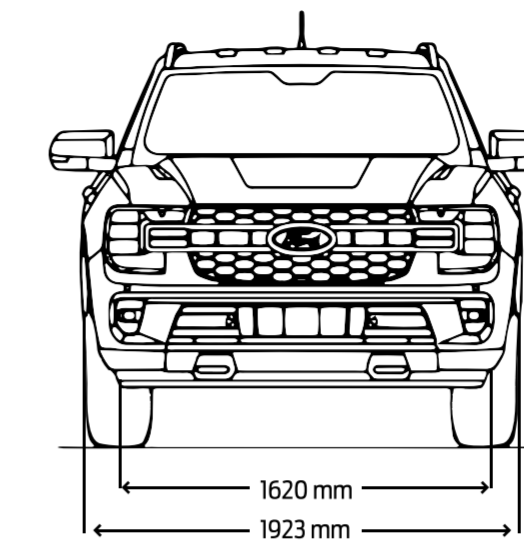
- Body-color wheel-lip moldings
- Front and rear fog lamps
- Front and rear splash guards
- Front and rear tow hooks
- LED taillamps
- Rear spoiler

SAFETY & SECURITY

- Belt-Minder® front safety belt reminder
- Child-safety rear door locks
- Daytime running lamps
- Driver and front-passenger front airbags⁴
- Driver's knee airbag⁴
- MyKey® technology
- Perimeter alarm
- Remote Keyless Entry System with 2 key fobs
- Side-curtain airbags⁴



Exterior Dimensions





EVEREST

EVEREST

Ford

Ford and Oval Device, Belt-Minder, BLIS, Everest, MyKey, PowerFold, Pre-Collision Assist, Roll Stability Control, RSC, SYNC, Terrain Management System and related marks are trademarks of Ford Motor Company.

Vehicles may be shown with optional equipment. Features may be offered only in combination with other options or subject to additional ordering requirements/limitations. Dimensions shown may vary due to optional features and/or production variability. Information is provided on an "as is" basis and could include technical, typographical or other errors. Ford makes no warranties, representations, or guarantees of any kind, express or implied, including but not limited to, accuracy, currency, or completeness, the operation of the information, materials, content, availability, and products. Ford reserves the right to change product specifications, pricing and equipment at any time without incurring obligations. Your Ford Dealer is the best source of the most up-to-date information on Ford vehicles.

Ford Genuine Parts & Service. Keep your vehicle in optimum operating condition with scheduled maintenance service. Ford and Lincoln Dealer technicians know your vehicle inside and out. They are continuously trained by Ford Motor Company and the parts they use are specifically designed for your vehicle. See your dealer for limited warranty information on Ford Original Accessories. Ford Licensed Accessories (FLA) are warranted by the accessory manufacturer's warranty. FLA are designed and developed by the accessory manufacturer and have not been designed or tested to Ford Motor Company engineering requirements. Contact your Ford Dealer for details and/or a copy of all limited warranties.

Android, Android Auto, Google and Google Play are trademarks of Google LLC. Apple, Apple CarPlay and iPhone are trademarks of Apple Inc., registered in the U.S. and other countries.

©2022 Ford Motor Company

LATCHA/APEVEREST/23MY



Visit Ford Bangladesh
fordbangladesh.com